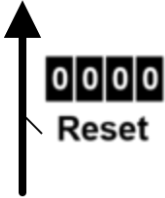
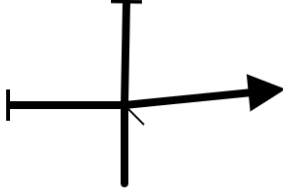
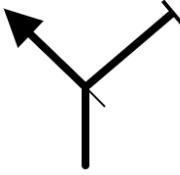
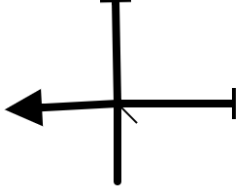

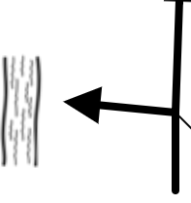

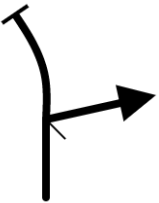



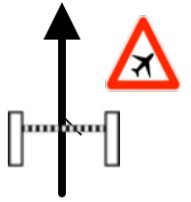
| PAGE 1 | 2019 D v6 | KM TOTAL : 22.0 |
|---|---|---|
| <p>0,00 0.00Mi <hr/>0,00</p> <p>1 0,00</p> |  | <p>Vervolg Moerstraat naar Thee pauze of na Bonus Track naar Thee pauze.</p> <p>89° 051°31.143'N 004°44.938'E</p> |
| <p>1,87 1.16Mi</p> <p>2 1,87</p> |  | <p>Galderseweg</p> <p>157° 051°31.454'N 004°46.188'E</p> |
| <p>2,46 1.53Mi</p> <p>3 0,59</p> |  | <p>Galderseweg vervolgen</p> <p>116° 051°31.193'N 004°46.459'E</p> |
| <p>3,51 2.18Mi</p> <p>4 1,05</p> |  | <p>140° 051°30.752'N 004°46.496'E</p> |
| <p>3,94 2.45Mi</p> <p>5 0,43</p> |  | <p>169° 051°30.551'N 004°46.584'E</p> |
| <p>4,46 2.77Mi</p> <p>6 0,52</p> |  | <p>Markweg</p> <p>90° 051°30.312'N 004°46.726'E</p> |
| <p>4,54 2.82Mi</p> <p>7 0,08</p> |  | <p>Schakel over naar kaart voor passage noord van Chaam</p> <p>85° 051°30.312'N 004°46.801'E</p> |

| | | | |
|---|--|--|----------|
| 13,37 8.31Mi | | Terug van kaart naar bolletje pijltje ter hoogte van Heikant | |
| | | | 8 |
| PROXIMA NOTA PROCH NOTE NEXT NOTE | | 3,55 | |

| PAGE 2 | 2019 D v6 | KM TOTAL : 22.0 | |
|-------------------------|-----------|-----------------|-----------|
| 16,92 10.51Mi | | Langereit | |
| | | | 9 |
| 17,94 11.15Mi | | | |
| | | | 10 |
| 18,56 11.53Mi | | | |
| | | | 11 |
| 19,31 12.00Mi | | Bavelseweg | |
| | | | 12 |
| 20,63 12.82Mi | | | |
| | | | 13 |
| 21,10 13.11Mi | | | |
| | | | 14 |

004°55.258'E

| | | |
|--|---|---|
| 21,34 13.26Mi |  | Moleneind |
| 15 0,24 | | 73° <small>051°33.365'N 004°55.224'E</small> |
| 21,68 13.47Mi |  | |
| 16 0,34 | | 22° <small>051°33.365'N 004°55.504'E</small> |
| <small>PROXIMA NOTA PROCH NOTE NEXT NOTE</small> 0,32 | | |

| | | |
|---------------------------|---|--|
| <small>PAGE 3</small> | 2019 D v6 | KM TOTAL : 22.0 |
| 22,00 13.67Mi |  | Defensierrein: volg de aanwijzingen. Thee pauze. |
| 17 0,32 | | --- ^o <small>051°33.520'N 004°55.633'E</small> |

