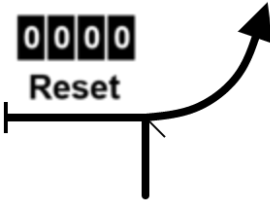
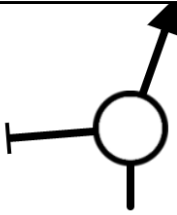
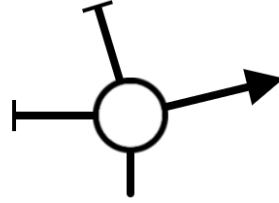
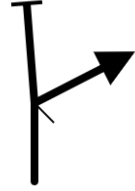
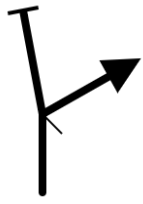
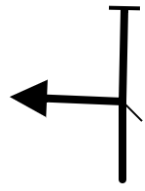

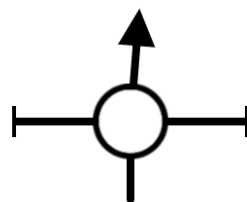
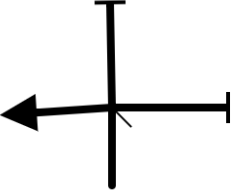
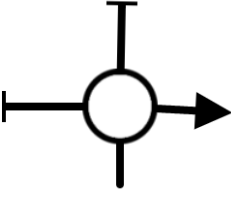
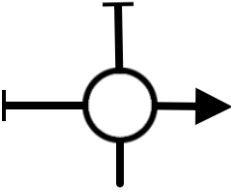
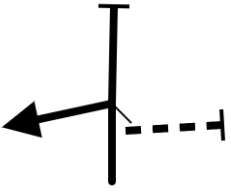

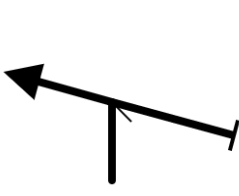
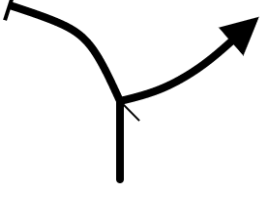
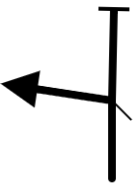


PAGE 1	2019 B v8	KM TOTAL : 39.5
<p>0,00 0.00Mi 0,00</p> <p>1 0,00</p>		<p>Op Maaspad rechtsaf en teller weer op 0,00</p> <p>209° 051°42.936'N 004°53.287'E</p>
<p>0,16 0.10Mi</p> <p>2 0,16</p>		<p>159° 051°42.867'N 004°53.204'E</p>
<p>2,21 1.37Mi</p> <p>3 2,05</p>		<p>Over Bergsebrug</p> <p>112° 051°42.017'N 004°52.195'E</p>
<p>2,66 1.65Mi</p> <p>4 0,45</p>		<p>327° 051°41.976'N 004°51.844'E</p>
<p>2,71 1.68Mi</p> <p>5 0,05</p>		<p>Gasthuisstraat</p> <p>28° 051°41.998'N 004°51.822'E</p>
<p>2,78 1.73Mi</p> <p>6 0,07</p>		<p>300° 051°42.031'N 004°51.851'E</p>
<p>2,99 1.86Mi</p> <p>7 0,21</p>		<p>Bergsch Backhuys: stempelen en een meeneem bekertje koffie.</p> <p>253° 051°42.059'N 004°51.683'E</p>
<p>3,82 2.37Mi</p> <p>8 0,83</p>		<p>270° 051°42.094'N 004°50.995'E</p>

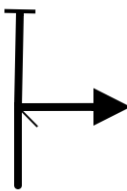
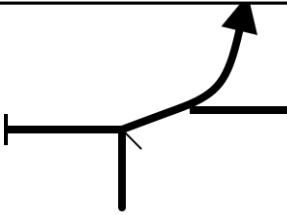
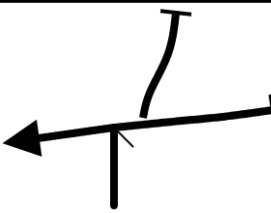



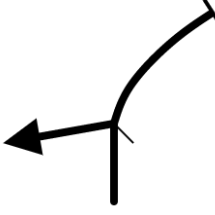
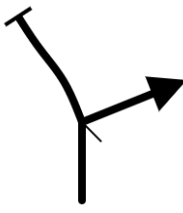
PROXIMA NOTA
PROCH NOTE
NEXT NOTE

0,54

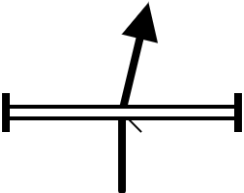
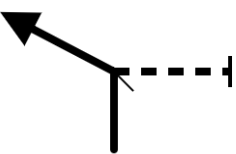
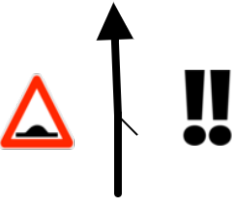
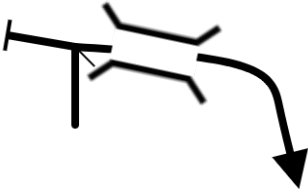
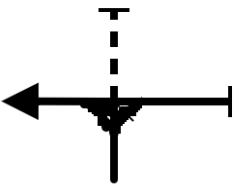
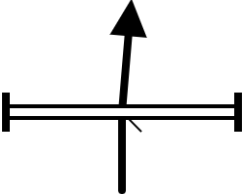
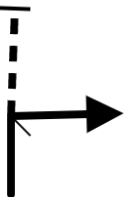
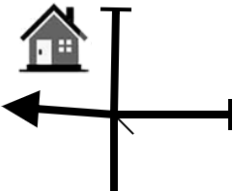
PAGE 2	2019 B v8	KM TOTAL : 39.5
<p>4,36 2.71Mi</p> <p>9 0,54</p>		<p>Amerweg</p> <p>172° <small>051°42.084'N 004°50.528'E</small></p>
<p>4,93 3.06Mi</p> <p>10 0,57</p>		<p>Naar Amertakbrug</p> <p>270° <small>051°41.797'N 004°50.663'E</small></p>
<p>7,41 4.61Mi</p> <p>11 2,48</p>		<p>332° <small>051°41.404'N 004°48.619'E</small></p>
<p>7,74 4.81Mi</p> <p>12 0,33</p>		<p>Drimmelenweg</p> <p>252° <small>051°41.569'N 004°48.535'E</small></p>
<p>8,45 5.25Mi</p> <p>13 0,71</p>		<p>247° <small>051°41.441'N 004°47.949'E</small></p>
<p>9,05 5.62Mi</p> <p>14 0,60</p>		<p>211° <small>051°41.322'N 004°47.480'E</small></p>
<p>9,13 5.68Mi</p> <p>15 0,08</p>		<p>272° <small>051°41.282'N 004°47.441'E</small></p>
<p>10,20 6.34Mi</p> <p>16 1,07</p>		<p>161° <small>051°41.061'N 004°46.604'E</small></p>

PROXIMA NOTA
PROCH NOTE
NEXT NOTE

0,60

PAGE 3	2019 B v8	KM TOTAL : 39.5
10,80 6.71Mi		Kerkdijk
17 0,60		251° <small>051°40.757'N 004°46.770'E</small>
11,04 6.86Mi		Vervolg Kerkdijk
18 0,24		326° <small>051°40.718'N 004°46.569'E</small>
11,31 7.03Mi		
19 0,27		159° <small>051°40.694'N 004°46.341'E</small>
11,88 7.38Mi		
20 0,57		91° <small>051°40.405'N 004°46.514'E</small>
11,96 7.43Mi		Stuivezandsestraat
21 0,08		164° <small>051°40.404'N 004°46.578'E</small>
12,16 7.56Mi		
22 0,20		213° <small>051°40.300'N 004°46.630'E</small>
13,77 8.56Mi		
23 1,61		39° <small>051°39.635'N 004°47.448'E</small>
13,99 8.69Mi		Moerstraat
24 0,22		82° <small>051°39.739'N 004°47.523'E</small>
PROXIMA NOTA PROCH NOTE NEXT NOTE	0,81	

PAGE 4	2019 B v8	KM TOTAL : 39.5
14,80 9.20Mi		
25 0,81		166° 051°39.840'N 004°48.201'E
15,51 9.64Mi		Eindsepad
26 0,71		79° 051°39.469'N 004°48.323'E
15,85 9.85Mi		
27 0,34		10° 051°39.488'N 004°48.616'E
16,45 10.22Mi		Rondje Houtse Heuvel
28 0,60		169° 051°39.781'N 004°48.837'E
17,04 10.59Mi		
29 0,59		265° 051°39.476'N 004°48.761'E
17,22 10.70Mi		Ruiterspoor
30 0,18		186° 051°39.492'N 004°48.613'E
20,64 12.83Mi		
31 3,42		133° 051°37.834'N 004°49.204'E
21,02 13.06Mi		Vruggelse baan
32 0,38		67° 051°37.646'N 004°49.307'E
PROXIMA NOTA PROCH NOTE NEXT NOTE	1,04	

PAGE 5	2019 B v8	KM TOTAL : 39.5
22,06 13.71Mi		Bredaseweg Oosterhoutseweg oversteken
33 1,04		129° 051°37.346'N 004°49.978'E
23,94 14.88Mi		
34 1,88		63° 051°36.720'N 004°51.258'E
24,42 15.17Mi		LET OP HOGE SCHERPE DREMPEL
35 0,48		32° 051°36.911'N 004°51.524'E
24,60 15.29Mi		Over A27
36 0,18		120° 051°37.003'N 004°51.585'E
26,43 16.42Mi		Ketenbaan
37 1,83		30° 051°36.218'N 004°52.031'E
28,09 17.46Mi		N631 oversteken
38 1,66		62° 051°36.734'N 004°53.182'E
28,53 17.73Mi		
39 0,44		151° 051°36.843'N 004°53.519'E
30,57 18.99Mi		Spijs en IJs
40 2,04		355° 051°36.449'N 004°55.069'E

PROXIMA NOTA
PROCH NOTE
NEXT NOTE

2,38

PAGE 6	2019 B v8	KM TOTAL : 39.5
32,9⁵ 20.48Mi		Doelstraat
41 2,38		240° <small>051°37.626'N 004°55.051'E</small>
33,3⁰ 20.69Mi		
42 0,35		305° <small>051°37.591'N 004°54.765'E</small>
33,7⁰ 20.94Mi		Oude Drongelse Baan
43 0,40		288° <small>051°37.764'N 004°54.608'E</small>
34,5¹ 21.44Mi		
44 0,81		218° <small>051°37.951'N 004°53.976'E</small>
35,4⁹ 22.05Mi		
45 0,98		336° <small>051°38.095'N 004°53.206'E</small>
35,9¹ 22.32Mi		
46 0,42		242° <small>051°38.312'N 004°53.086'E</small>
37,0⁵ 23.02Mi		
47 1,14		28° <small>051°38.426'N 004°52.141'E</small>
37,6⁶ 23.40Mi		Veerseweg
48 0,61		75° <small>051°38.744'N 004°52.164'E</small>

PROXIMA NOTA
PROCH NOTE
NEXT NOTE

0,58

PAGE 7	2019 B v8	KM TOTAL : 39.5
38,24 23.76Mi 49 0,58		Helleke 153° <small>051°38.854'N 004°52.630'E</small>
38,53 23.94Mi 50 0,29		Leijzenstraat 162° <small>051°38.871'N 004°52.833'E</small>
39,31 24.43Mi 51 0,78		Kloosterdreef 154° <small>051°38.563'N 004°52.405'E</small>
39,47 24.52Mi 52 0,16		65° <small>051°38.488'N 004°52.464'E</small>
39,50 24.54Mi 53 0,03		Wijndomein St.Catharinadal: volg instructies. --- ° <small>051°38.495'N 004°52.487'E</small>



Software Society™
the support professionals